

WOUND & BLOOD
MANAGEMENT



**SURGICAL CLEANING
AND SUCTION SYSTEM,
DESIGNED TO KEEP
THE SURGICAL FIELD
CLEANED**

SPRINK



EUROSETS
EVERY LIFE MATTERS

SPRINK

SURGICAL CLEANING AND SUCTION SYSTEM

Surgical or trauma wound irrigation is commonly indicated for infections prevention¹.

This practice is useful for removing pathogenic bacteria, foreign material, bone fragments, blood and more.

Surgical irrigation of the wound is commonly performed through syringes and/or high pressure washing systems.

Syringes have a very low washing pressure and therefore must be frequently refilled. Irrigation and debridement performed with high-pressure washing system can cause bacterial migration and soft tissue and bone damage.²⁻³

THE SPRINK SYSTEM

The SPRINK system is designed to assure a safety washing through a controlled washing force. Literature reports that the frequent surgical wound washing, associated with continuous aspiration, helps to keep the operative field clean and to eliminate pathogens, reducing the risk of infection¹.

HOW SPRINK WORKS

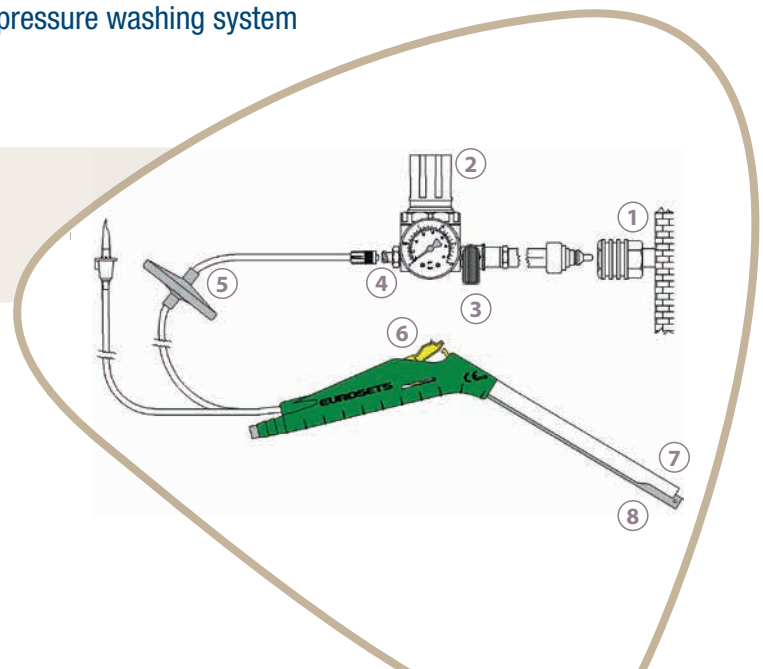
The cleaning liquid is sprinkled using sterile air which can be adjusted using a pressure regulator.

The cleaning/suction unit is connected to a pressure regulator. By means of a filter with sterilizing membrane with an efficient > 99,99999%⁴ sterile air is injected as carrier for transporting the cleaning liquid. The operator regulates the flow of liquid directly at the Sprink On-Off washing clamp. Suction is always permanent.

BENEFITS

- It provides a continuous wound cleaning.
- It helps to remove pathogenic bacteria, limiting the risk of infection¹.
- It helps to remove organic material from bone and tissue surfaces, helping to achieve a better cementation of the prosthesis.
- The controlled washing force prevents soft tissue damage and bacterial migration².
- It is usable for intra-operative blood recovery procedures (cell saver).
- It can automatically dispense disinfectants and/or antibiotics diluted in the saline washing solution.
- It replaces syringes (too low pressure to reduce bacteria) and high pressure washing system (too high pressure that can cause tissue damages).
- The system works without disposables batteries.

1. Wall air source - 2. Air pressure regulator (0 ÷ 2,3 Bar)
3. On-Off air flow lever - 4. Connection to air regulator
5. Filter with sterilizing membrane - 6. On-Off washing clamp
7. Washing pipe - 8. Suction pipe

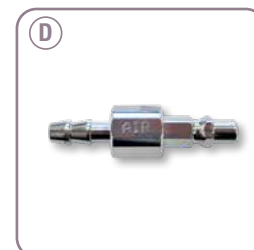
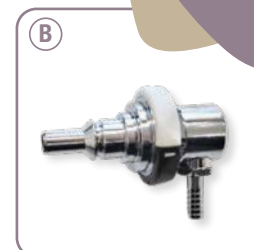


REFERENCES

1. Donald E. Fry, **Surgical Infections**. May 2017. Vol.18, No.4.
2. Boyd JI 3rd¹, Wongworawat MD. **High-pressure pulsatile lavage causes soft tissue damage**. Clin Orthop Relat Res. 2004 Oct;(427):13-7.
3. Hassinger SM¹, Harding G, Wongworawat MD. **High-pressure pulsatile lavage propagates bacteria into soft tissue**. Clin Orthop Relat Res. 2005 Oct;439:27-31.
4. Eurosets test lab on performance data.

ORDERING GUIDE

	CODE	DESCRIPTION	N° PACK
SINGLE USE	EU3783	SPRINK S.H.F. 125 mm GRID, KIT complete	10
	EU3784	SPRINK S.H.F. 160 mm GRID, KIT complete	10
	EU3785	SPRINK S.H.F. 195 mm GRID, KIT complete	10
REUSABLE	EU3235	Pressure reducer for Sprink (A)	1
	Wall socket for connection to the compressed air source		
	EU1026	Connector UNI9507 for compressed air (B)	1
	EU1156	Connector SIO (AFNOR NR-S-90-116) (C)	1
	EU1157	Connector DIN1326 for compressed air (D)	1
	EU1158	Connector BS5682 for compressed air (E)	1



SPRINK DISPOSABLE KIT

- 1 ON/OFF washing clamp
- 2 Upper washing cannula
- 3 Lower suction cannula
- 4 Anti-splash shield
- 5 Suction pipe
- 6 Spike connection to saline bag
- 7 Luer-lock connection to pressure reducer
- 8 Sterilizing air filter



EUROSETS EUROPE

ITALY

Eurosets S.r.l.
Strada Statale 12, 143
41036 Medolla (MO)
Italy

Ph: +39 0535 660311

Fax: +39 0535 51248

info@eurosets.com



eurosets.com

BENELUX

Eurosets Benelux
Winstar Park,
Rue Provinciale, 62
1301 Bierges (Wavre)
Belgium

Ph: +32 10237993

info.nl@eurosets.com
info.be@eurosets.com

FRANCE

Eurosets France Sarl
Immeuble LE FONTENOY
96, Boulevard Vivier
Merle
69423 LYON Cedex 03

Ph: +33 962191542

Fax: +33 970066573

info.fr@eurosets.com

GERMANY

Eurosets GmbH
Industriestr. 29
82194 Gr ell

Ph: +49 81426671227

Fax: +4981426671229

info.de@eurosets.com

EUROSETS ASIA

CHINA

Eurosets (Suzhou) Medical Device Ltd.
Suite 1308-2, The Summit (South Block)
No. 119, Suzhou Avenue West,
Suzhou Industrial Park - 215000, Greater China.

苏州工业园区苏州大道西119
号苏悦广场南楼1308-2, 215000,
更大的中国

info.cn@eurosets.com

Prodotto da
Manufactured by
Fabriqué par
Hersteller
Fabricado por

Eurosets s.r.l.
Strada Statale 12, n°143
41036 Medolla (MO) Italy
Tel: +39 0535 660311
Fax: +39 0535 51248
E-mail: info@eurosets.com
eurosets.com

STERILE/EO



CE 0123

Latex free



Distribuito da
Distributed by
Distribué par
Vertrieb
Distribuido por